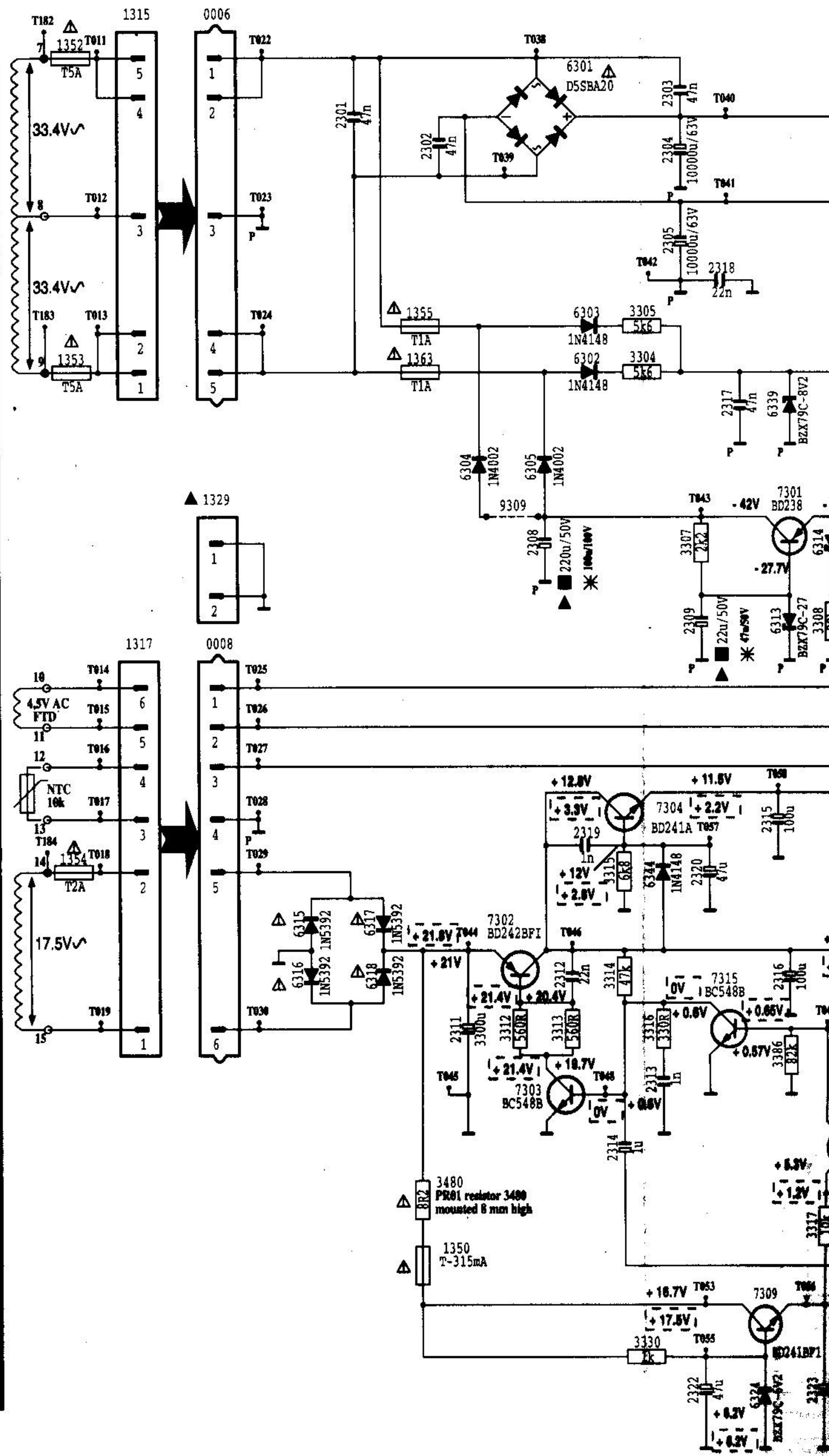
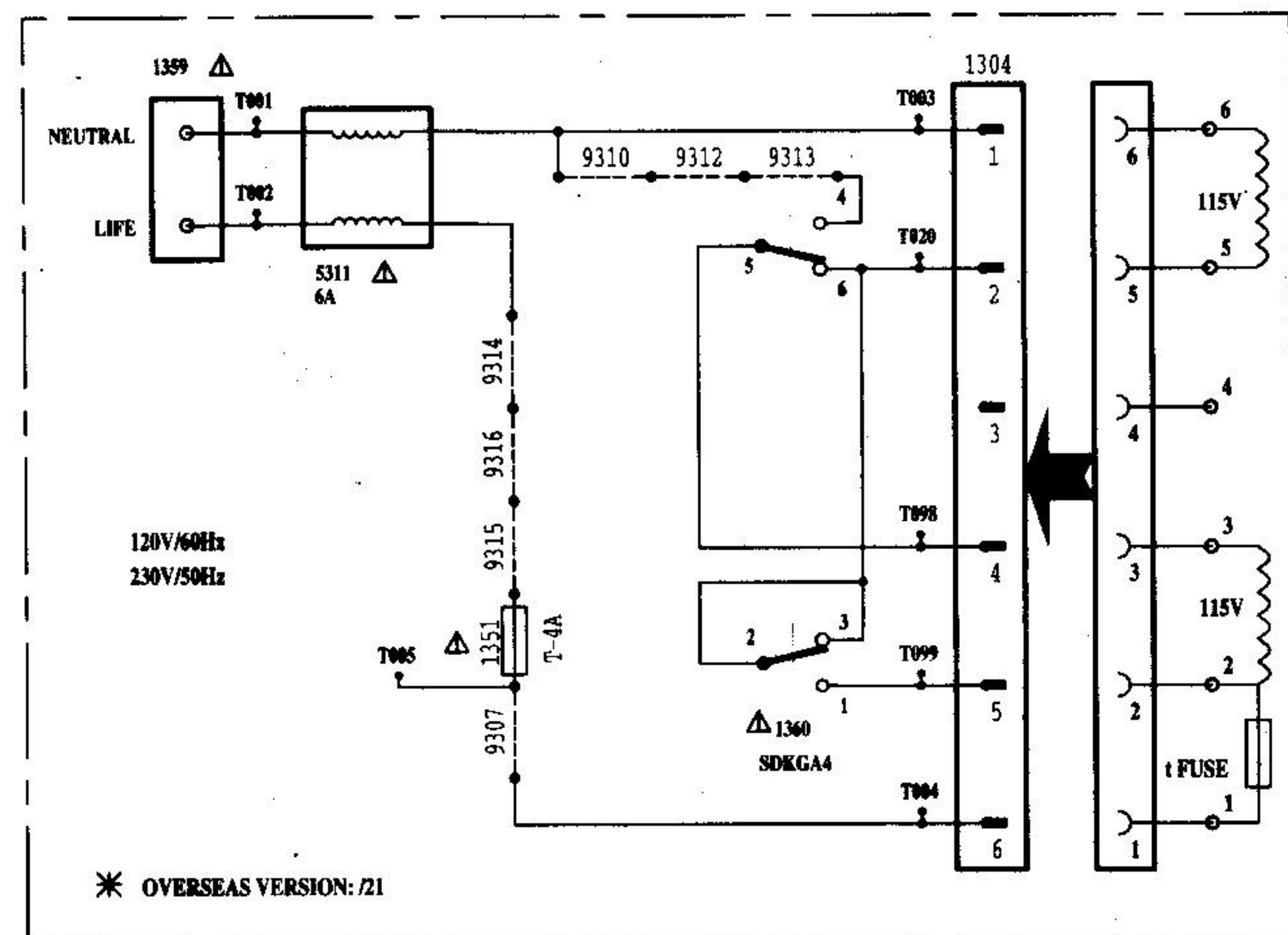
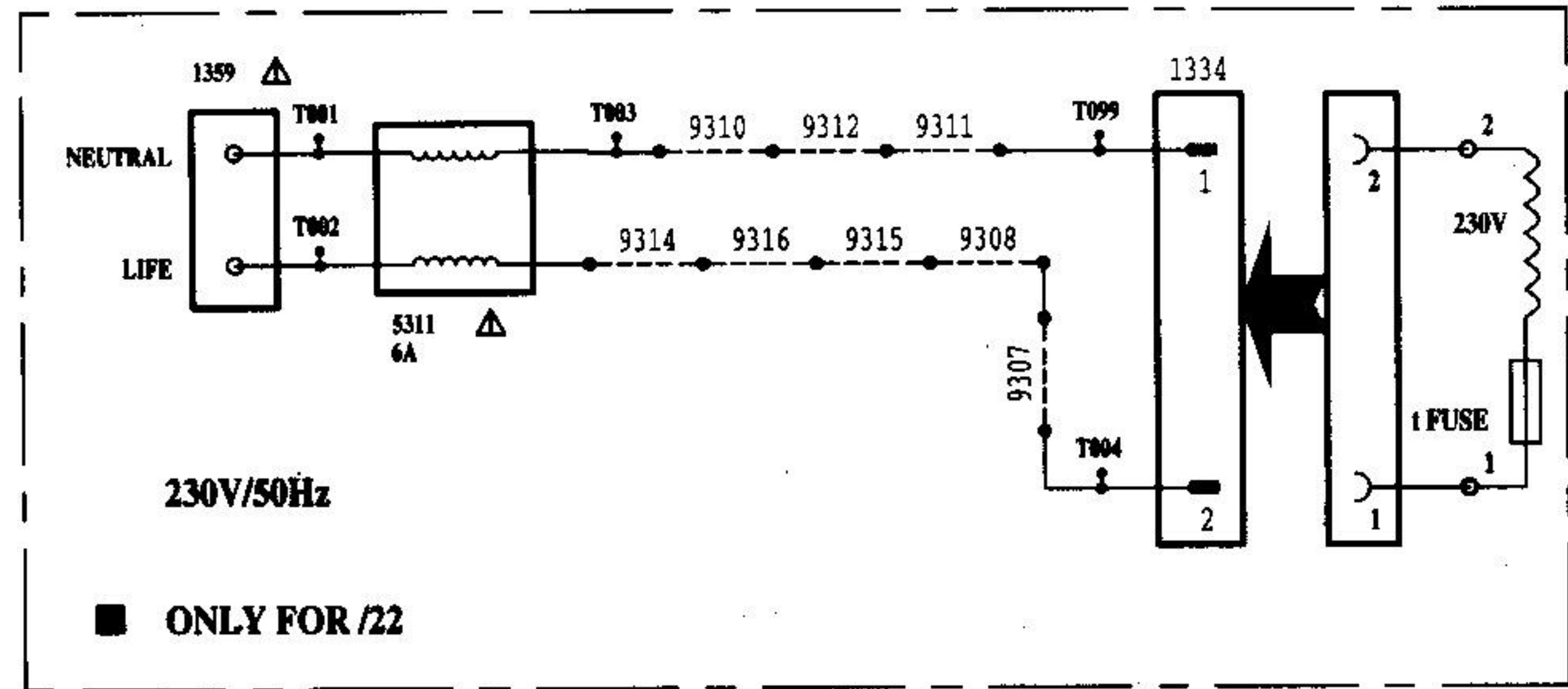
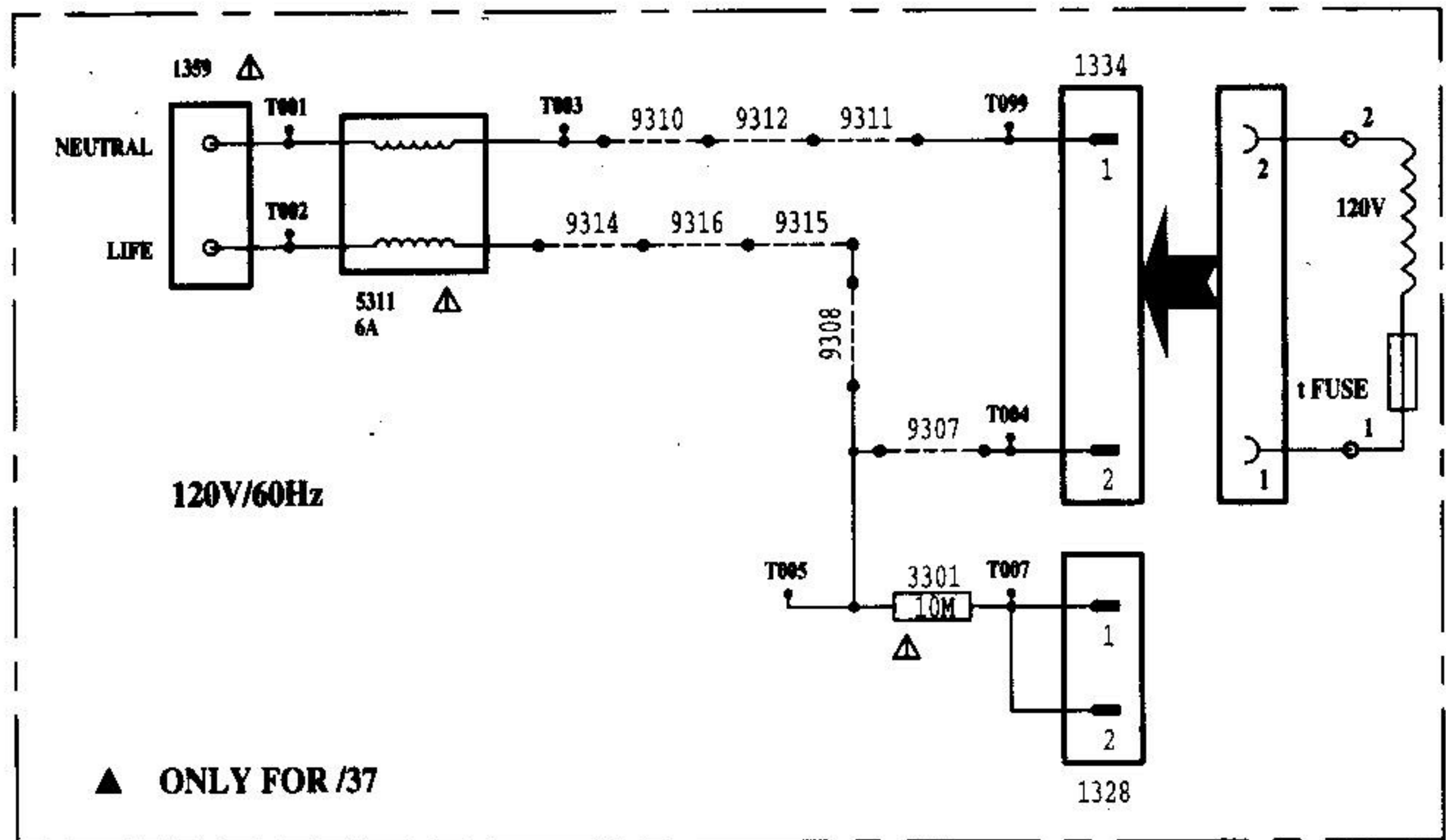


0001 C26	1307 I16	1313 D19	1326 F27	1351 J 2	1359 H 1	2301 B 9	2309 F11	2316 H12	2323 K12	2336 L24	2342 M26	2348 J26	2354 K18	2360 C25	2397 D28	3308 F13	3314 H11	3322 L23
0006 A 8	1308 I17	1314 D20	1328 D 4	1352 A 7	1359 E 1	2302 B 9	2311 H10	2317 D12	2331 J22	2337 J24	2343 K26	2349 N25	2355 O18	2361 C27	2391 D 4	3309 F13	3315 H11	3323 L23
0008 P 8	1309 E16	1315 A 7	1329 E 8	1353 D 7	1360 K 4	2303 B11	2312 H10	2318 C17	2332 L24	2338 M24	2344 L26	2350 N25	2356 O19	2362 C27	2392 D 4	3310 F13	3316 H11	3324 L23
1301 J16	1310 E17	1316 A17	1334 E 4	1354 D 7	1361 G1	2304 B11	2313 H11	2319 C17	2333 L24	2339 M24	2345 L26	2351 N25	2357 O19	2363 C27	2393 D 4	3311 F13	3317 H11	3325 L23
1303 D15	1311 J19	1317 F 7	1334 B 4	1354 D 7	1362 G1	2304 B11	2313 H11	2319 C17	2333 L24	2339 M24	2345 L26	2351 N25	2357 O19	2363 C27	2393 D 4	3311 F13	3317 H11	3325 L23
1304 H 4	1312 J20	1326 C27	1350 J10	1359 B 1	1363 D 9	2308 B10	2315 G12	2322 K11	2335 K24	2341 L26	2347 J26	2353 K22	2359 K21	2365 H28	2397 E11	3312 F10	3318 H10	3326 L23

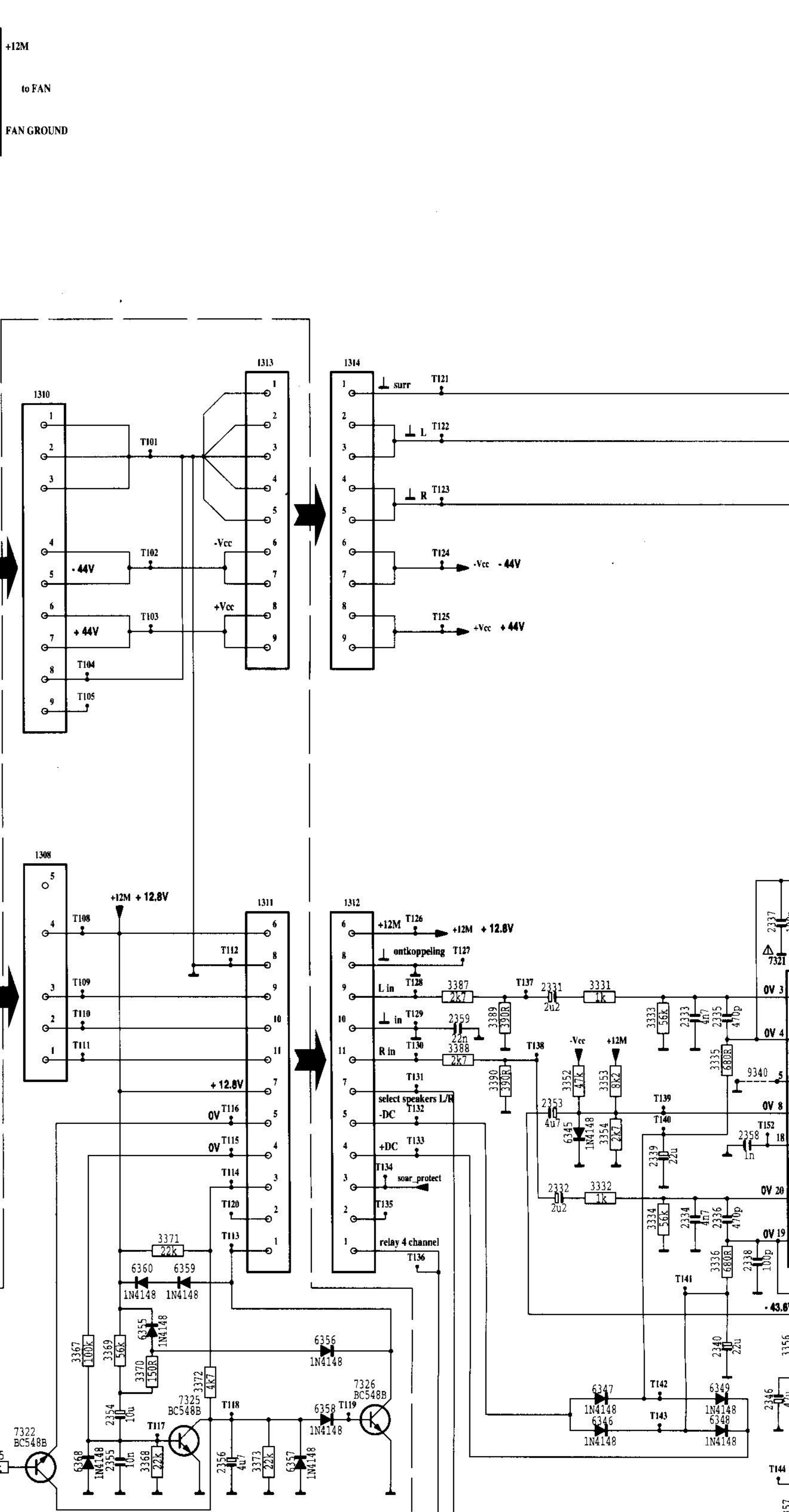
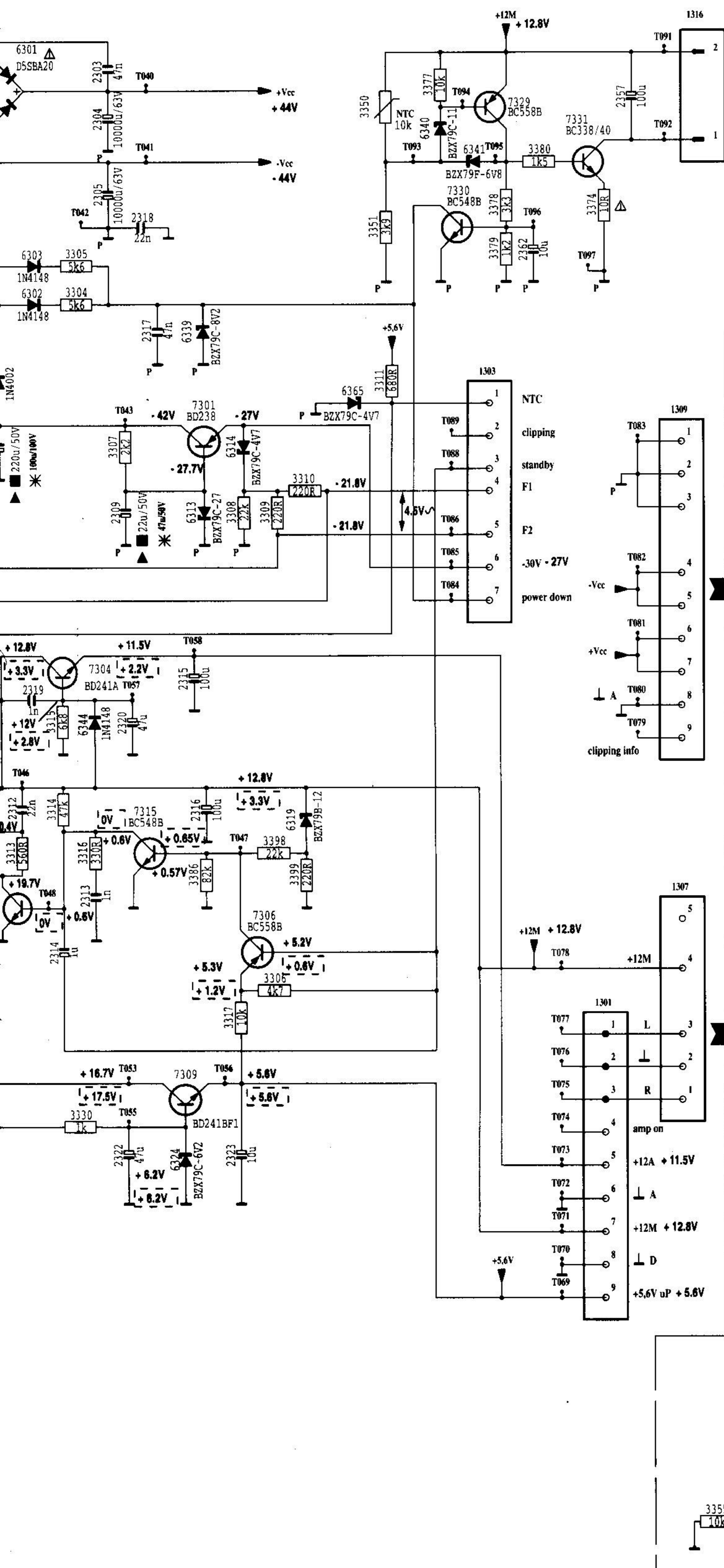
### POWER CIRCUIT (2 x 100W)



.....V Voltage measured during normal operation  
No special feature on

---V Standby

D28	3308 F13	3314 H11	3332 L23	3338 M26	3346 M26	3352 K22	3358 J25	3364 O26	3370 N18	3376 N26	3382 J21	3388 H28	3394 H28	3400 F29	6301 A11	6307 D11	6313 E13	6319 L12	6324 L12	6329 N18	6335 M18	6341 E14	6346 M23	6352 M18	6358 N18	6364 O18	6369 E14	7301 E12	7306 K13	7312 H12	7317 J12	7323 N18	7329 M18	7335 O18	7341 H10	7346 I10	7351 J10	7357 K10	7363 L10	7368 M10	7374 N10	7380 O10	7386 P10	7392 Q10	7398 R10	7404 S10	7410 T10	7416 U10	7422 V10	7428 W10	7434 X10	7440 Y10	7446 Z10
-----	----------	----------	----------	----------	----------	----------	----------	----------	----------	----------	----------	----------	----------	----------	----------	----------	----------	----------	----------	----------	----------	----------	----------	----------	----------	----------	----------	----------	----------	----------	----------	----------	----------	----------	----------	----------	----------	----------	----------	----------	----------	----------	----------	----------	----------	----------	----------	----------	----------	----------	----------	----------	----------

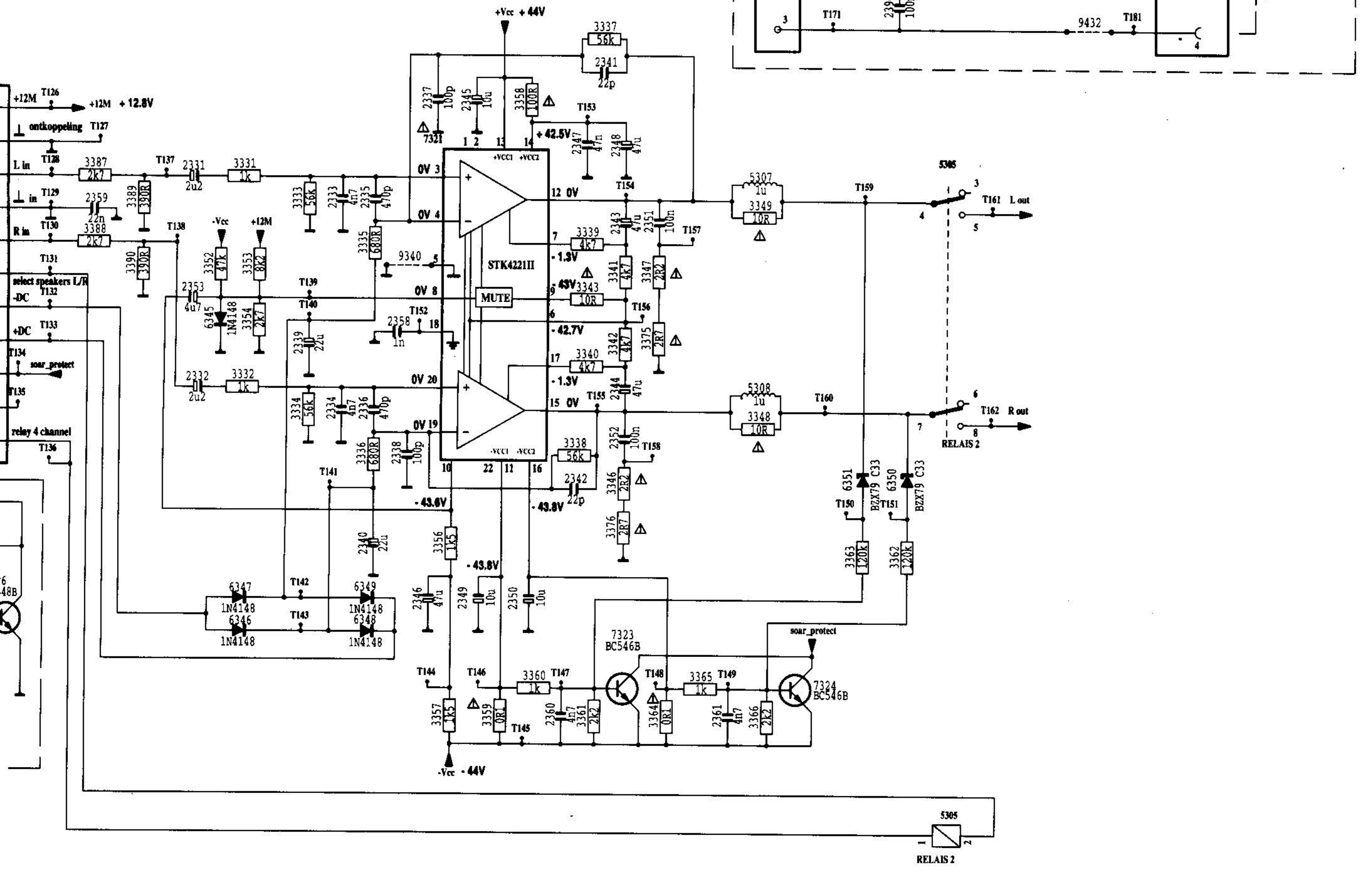
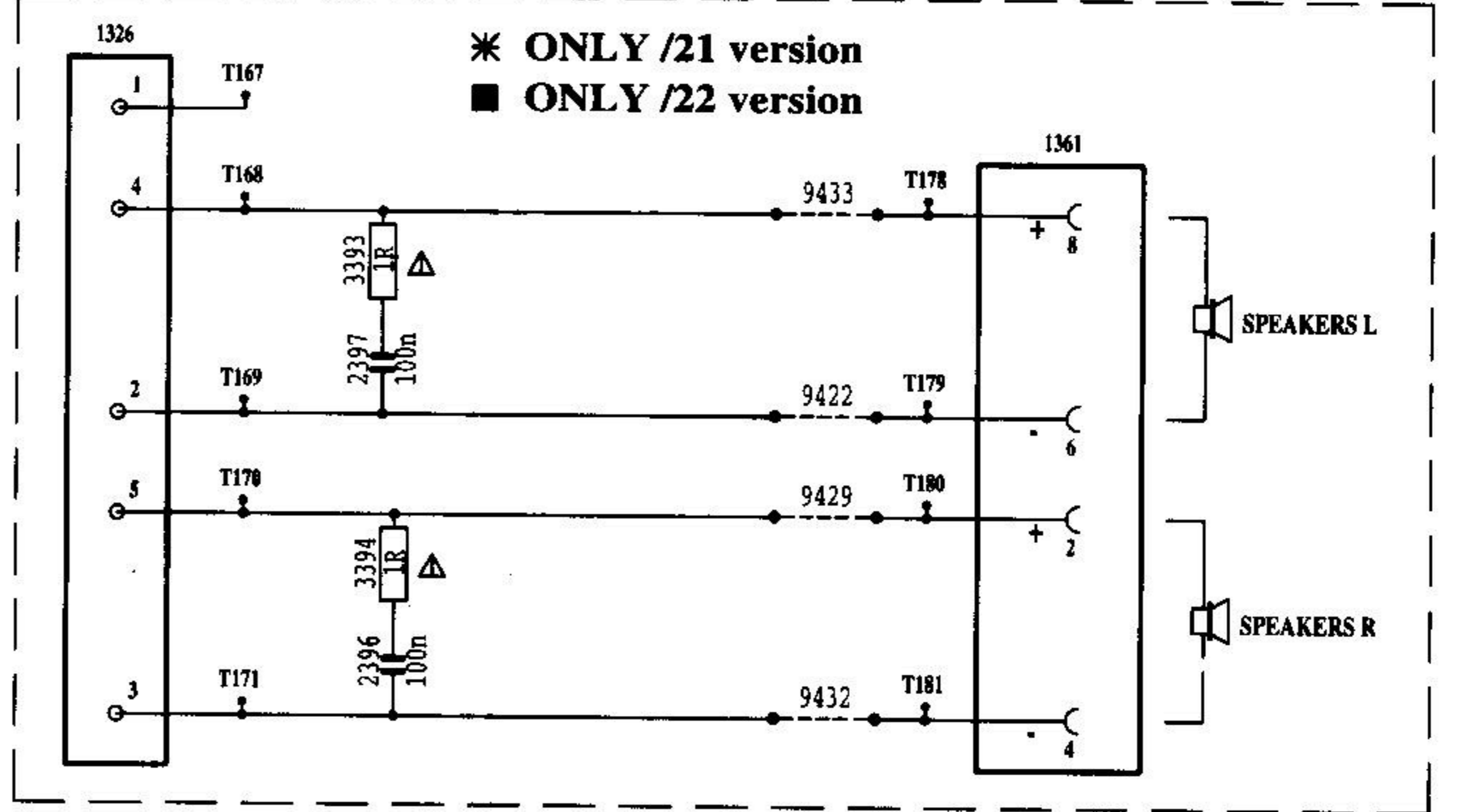
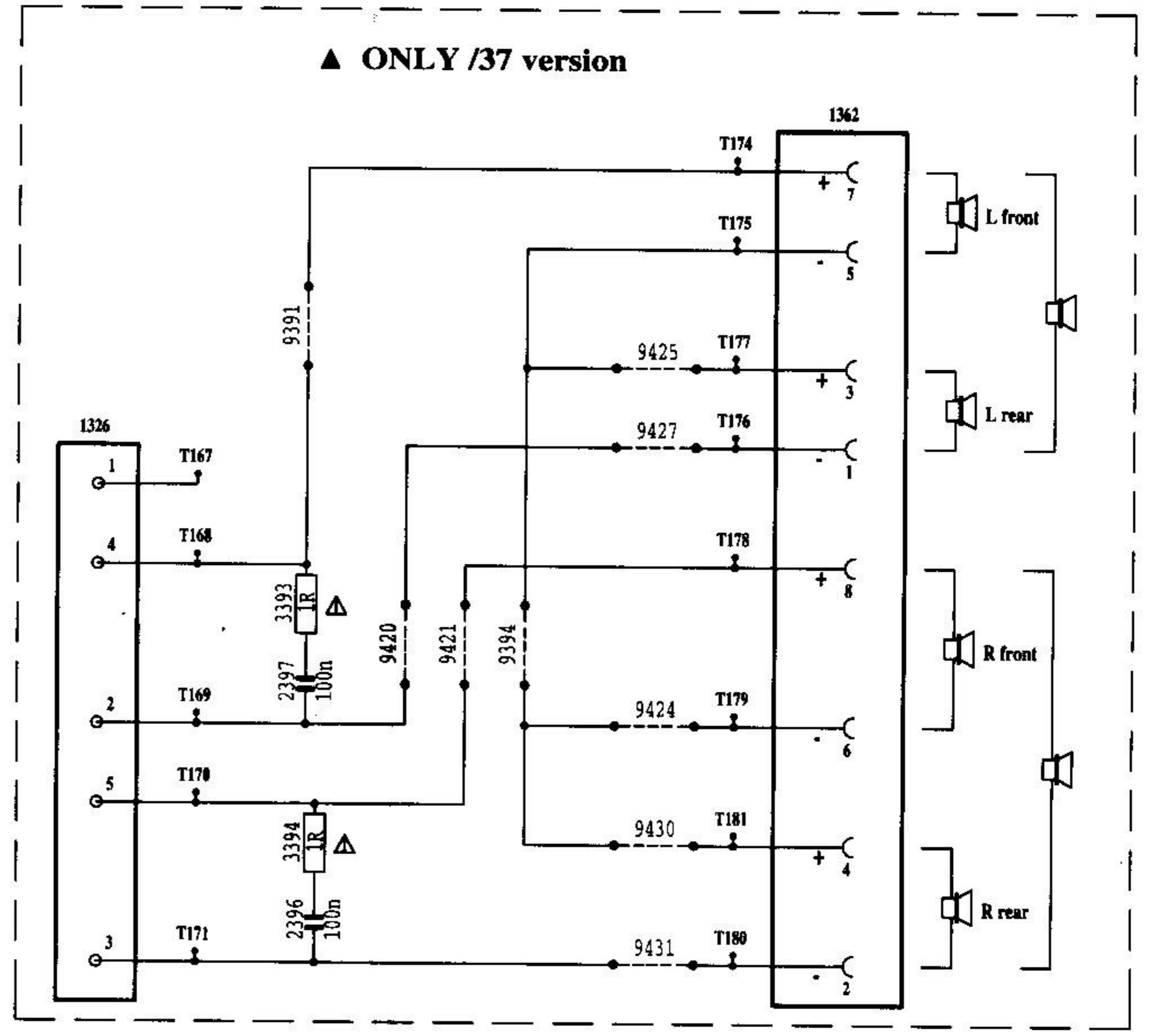
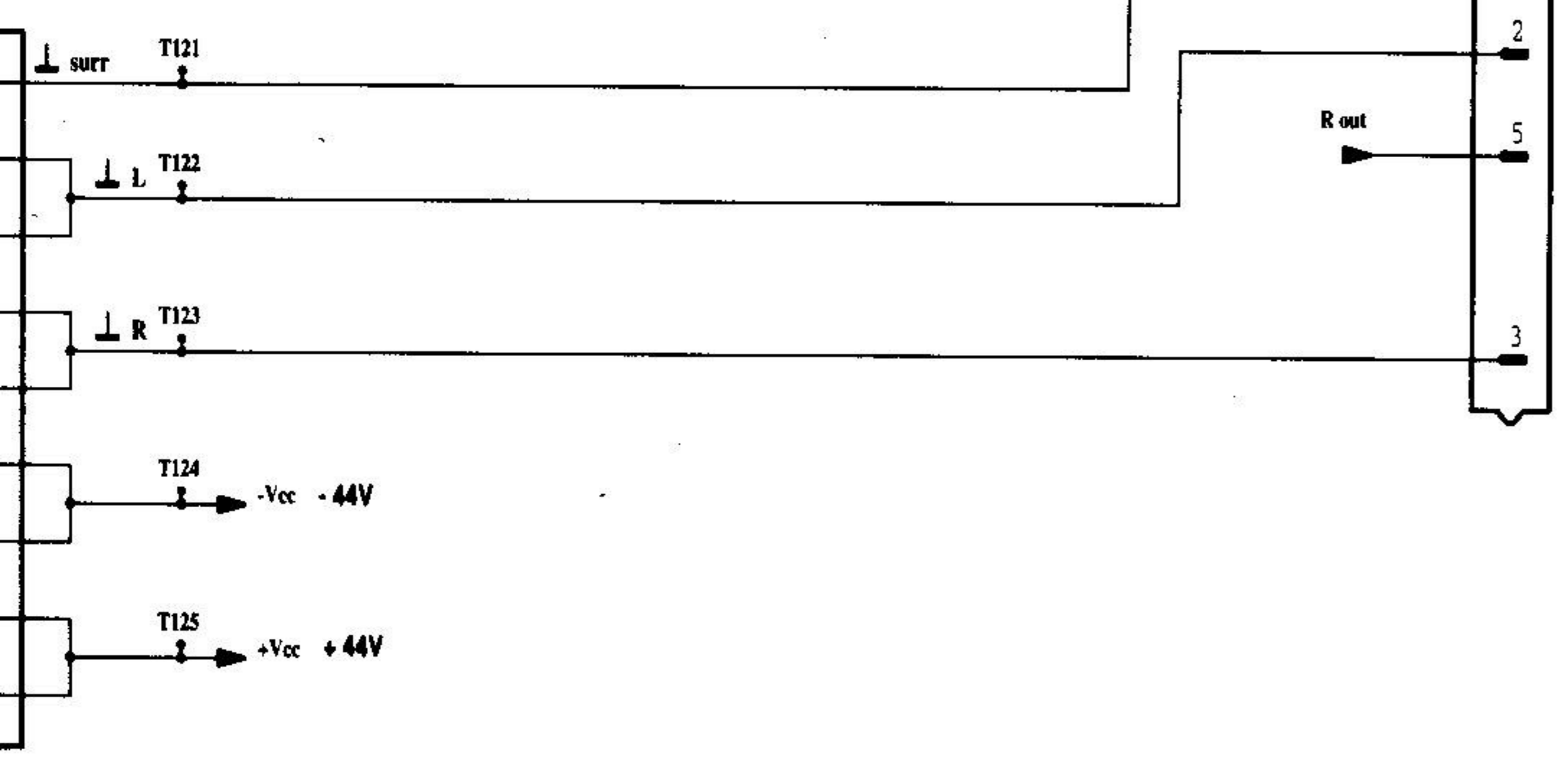


measured during normal operation  
 feature on

**Connection Board**

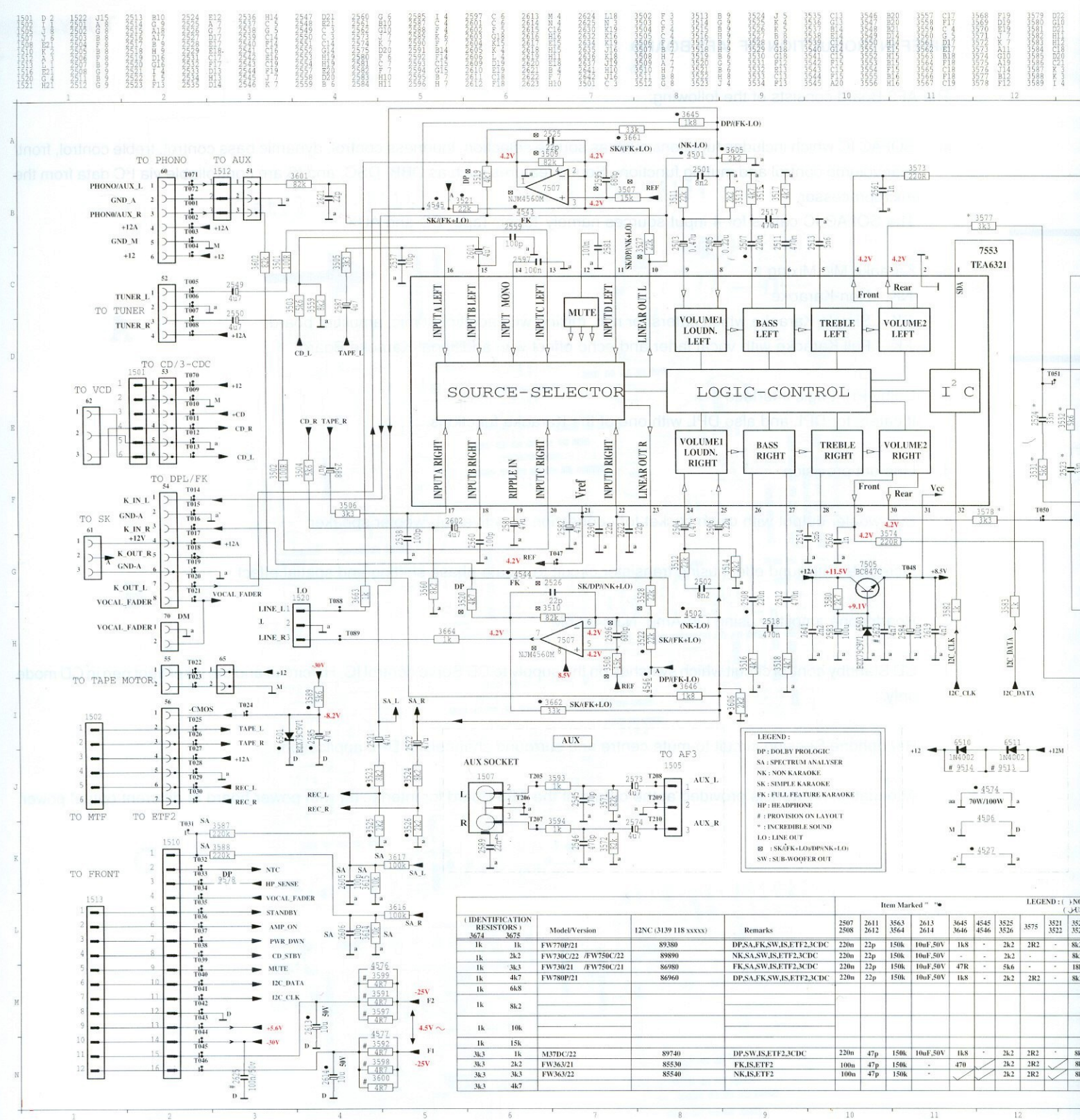
E13	6324 L12	6346 N23	6355 N18	6365 E14	7306 I13	7324 O28	9307 C 4	9310 B 3	9312 B 3	9315 J 2	9340 K24	9424 D30	9432 I30
H 8	6339 D12	6347 N23	6356 N20	6368 O18	7309 K12	7325 N19	9307 F 4	9310 B 3	9312 H 3	9315 B 3	9391 C28	9425 C30	9433 G30
H 8	6340 B14	6348 N24	6357 O20	7301 B12	7315 H12	7326 N20	9307 K 2	9310 H 3	9315 H 4	9315 B 3	9394 D30	9427 C30	
H 9	6341 B15	6349 N24	6358 N20	7302 H10	7321 J24	7329 B15	9308 F 4	9311 B 4	9314 I 2	9316 B 3	9420 D29	9429 E30	
H 9	6344 H11	6350 M28	6359 M19	7303 I10	7322 O17	7330 C15	9308 C 4	9311 B 4	9314 B 3	9316 B 3	9421 D29	9430 E30	
H13	6345 L22	6351 M28	6360 M18	7304 G11	7323 O26	7331 B16	9309 E10	9312 B 3	9314 F 3	9316 F 3	9422 H30	9431 F30	

21 22 23 24 25 26 27 28 29 30 31 32



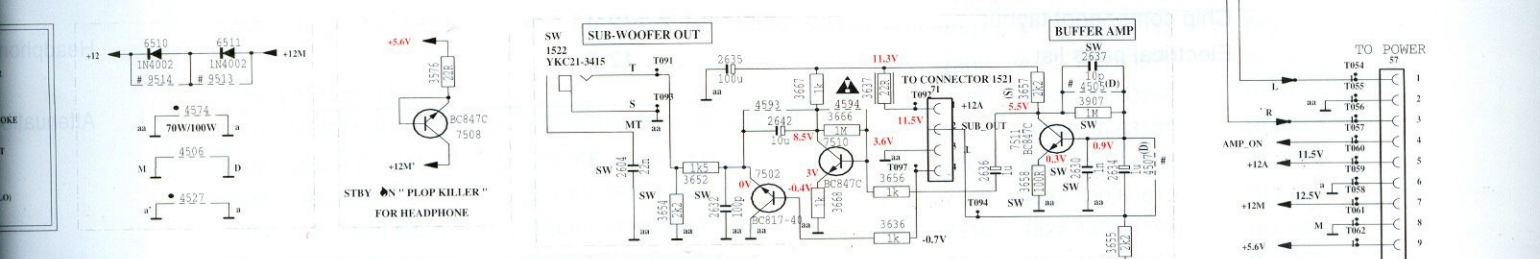
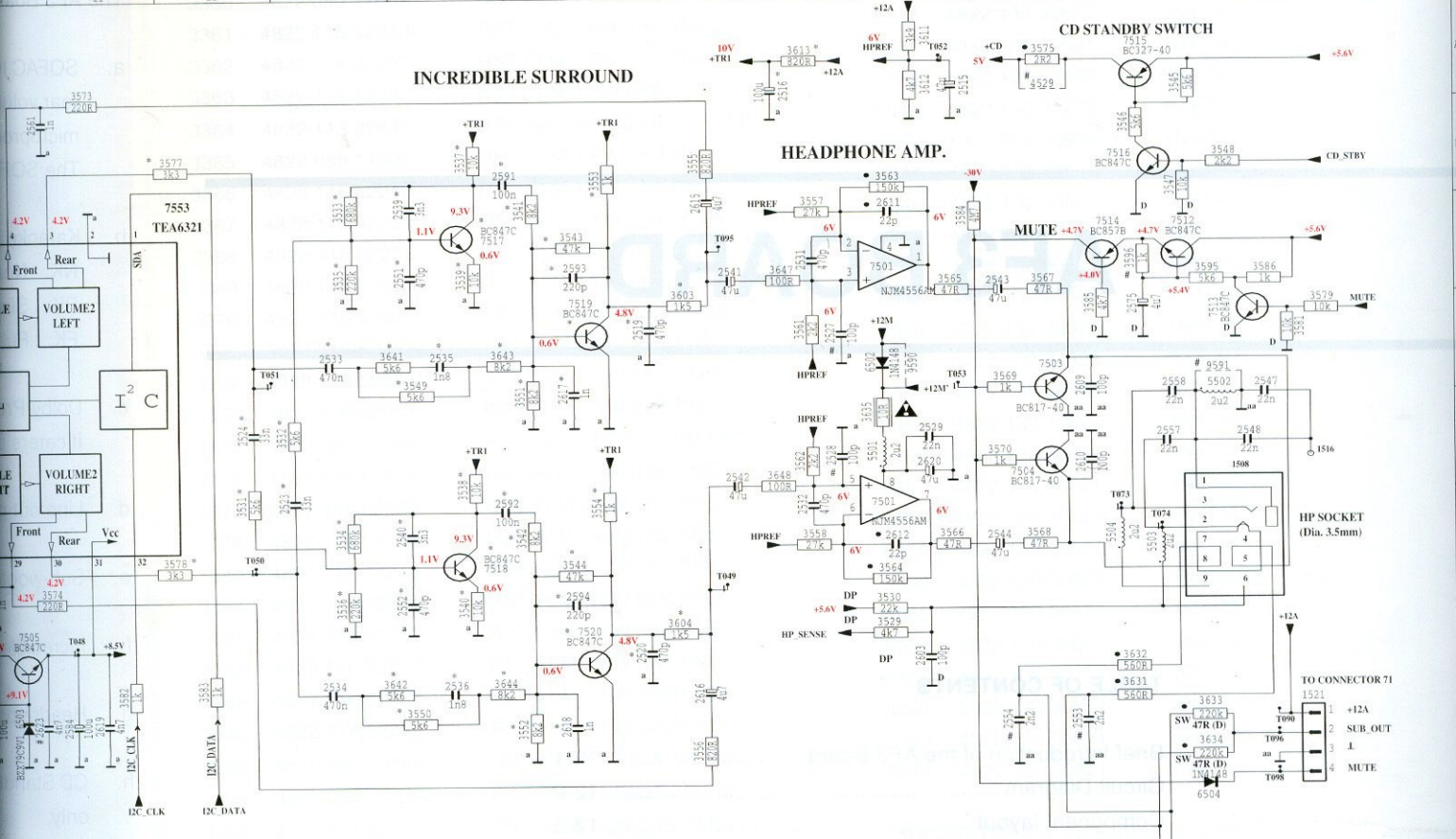
21 22 23 24 25 26 27 28 29 30 31 32

# AF3 CIRCUIT



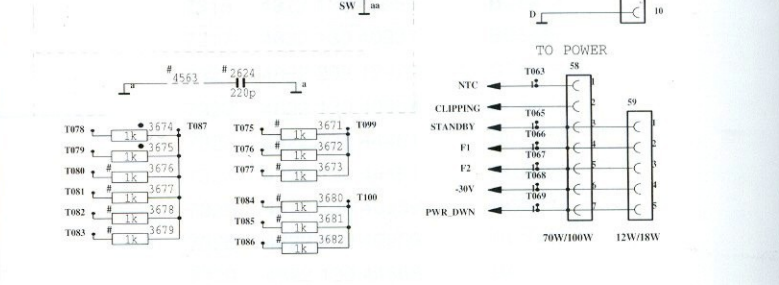
(IDENTIFICATION RESISTORS)	Model/Version	I2NC (3139 118XXXX)	Remarks	2507	2611	3563	2613	3645	4545	3525	3521	3522	3523	
1k	1k	89380	DP,SA,FK,SW,IS,ETF2,3CDC	220n	22p	150k	100k	50V	1k8	-	2k2	2R2	-	8k2
1k	2k2	FW730C/22 /FW750C/22	NK,SA,SW,IS,ETF2,3CDC	220n	22p	150k	100k	50V	-	-	2k2	2R2	-	8k2
1k	3k3	FW730/21 /FW750/21	FK,SA,SW,IS,ETF2,3CDC	220n	22p	150k	100k	50V	47R	-	5k6	-	-	18k
1k	4k7	FW780P/21	DP,SA,FK,SW,IS,ETF2,3CDC	220n	22p	150k	100k	50V	1k8	-	2k2	2R2	-	8k2
1k	6k8													
1k	8k2													
1k	10k													
1k	15k													
3k3	1k	M37DC/22	DP,SW,IS,ETF2,3CDC	220n	47p	150k	100k	50V	1k8	-	2k2	2R2	-	8k
3k3	2k2	FW363/21	FK,IS,ETF2	100n	47p	150k	-	470	-	2k2	2R2	2R2	-	8k
3k3	3k3	FW363/22	NK,IS,ETF2	100n	47p	150k	-	-	-	2k2	2R2	2R2	-	8k
3k3	4k7													

11 12 13 14 15 16 17 18 19 20 21 22



LEGEND: ( ) NOT USED  
( / ) USED AS SHOWN IN SCHEMATICS

Item Marked	2807	2808	2611	2612	3563	3564	2613	2614	3645	3646	4545	4546	3525	3526	3575	3521	3522	3523	3524	2585	6501	3519	3520	3661	3662	3606	3606	3509	3510	3631	3632	4527	4574	4501	4502	4543	4544	ITEM MARK			
220n	22p	150k	10uF.50V	1K8	-	2k2	2R2	-	8K2	✓	4K7	-	2k2	82k	560R	✓	✓	✓	✓	✓	✓	✓	✓	✓	✓	✓	✓	✓	✓	✓	✓	✓	✓	✓	✓	✓	✓	✓	✓	✓	
220n	22p	150k	10uF.50V	-	-	2k2	-	-	8K2	✓	✓	✓	✓	✓	✓	✓	✓	✓	✓	✓	✓	✓	✓	✓	✓	✓	✓	✓	✓	✓	✓	✓	✓	✓	✓	✓	✓	✓	✓	✓	
220n	22p	150k	10uF.50V	47R	-	5k6	-	-	18k	✓	✓	✓	✓	✓	✓	✓	✓	✓	✓	✓	✓	✓	✓	✓	✓	✓	✓	✓	✓	✓	✓	✓	✓	✓	✓	✓	✓	✓	✓	✓	
220n	22p	150k	10uF.50V	1K8	-	2k2	2R2	-	8K2	✓	✓	✓	✓	✓	✓	✓	✓	✓	✓	✓	✓	✓	✓	✓	✓	✓	✓	✓	✓	✓	✓	✓	✓	✓	✓	✓	✓	✓	✓	✓	
220n	47p	150k	10uF.50V	1K8	-	470	-	-	8K2	✓	✓	✓	✓	✓	✓	✓	✓	✓	✓	✓	✓	✓	✓	✓	✓	✓	✓	✓	✓	✓	✓	✓	✓	✓	✓	✓	✓	✓	✓	✓	
100n	47p	150k	-	-	-	-	-	-	8K2	✓	✓	✓	✓	✓	✓	✓	✓	✓	✓	✓	✓	✓	✓	✓	✓	✓	✓	✓	✓	✓	✓	✓	✓	✓	✓	✓	✓	✓	✓	✓	
100n	47p	150k	-	-	-	-	-	-	8K2	✓	✓	✓	✓	✓	✓	✓	✓	✓	✓	✓	✓	✓	✓	✓	✓	✓	✓	✓	✓	✓	✓	✓	✓	✓	✓	✓	✓	✓	✓	✓	✓



10 11 12 13 14 15 16 17 18 19 20 21 22